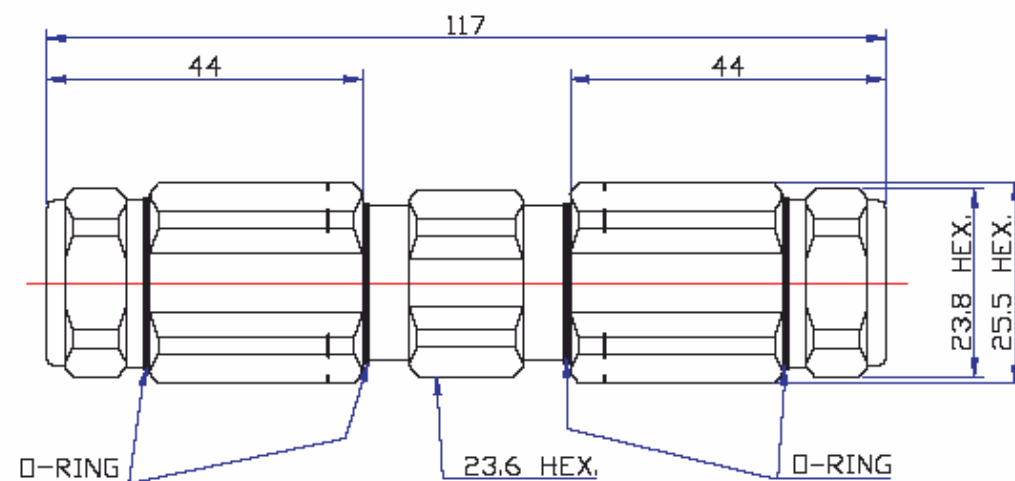


Material and Finish

Body: Aluminum, Chromate

Nut: Aluminum, Chromate



Unit:mm